

SM Series

## Moulders



TSEK CE PG

- Single-, two-, or three stage dough sheeting
- Adjustable sheeting rollers made of stainless steel or polyamide with spring loaded scrapers
- Single or two adjustable pressure boards sized according to the required dough weight and length
- Polyamide or felt belt pressure boards
- Adjustable catch pan
- Complete with castors for portability

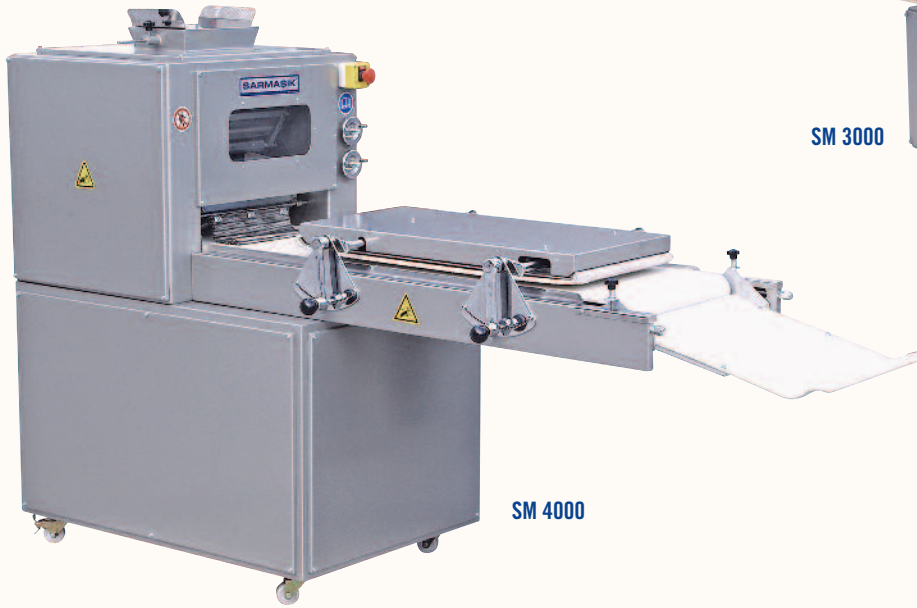
### OPTIONAL

- Customized pressure boards
- Pressure board side guides
- Underlying conveyor with automatic product loading
- Infeed conveyor system
- Stainless steel side panels

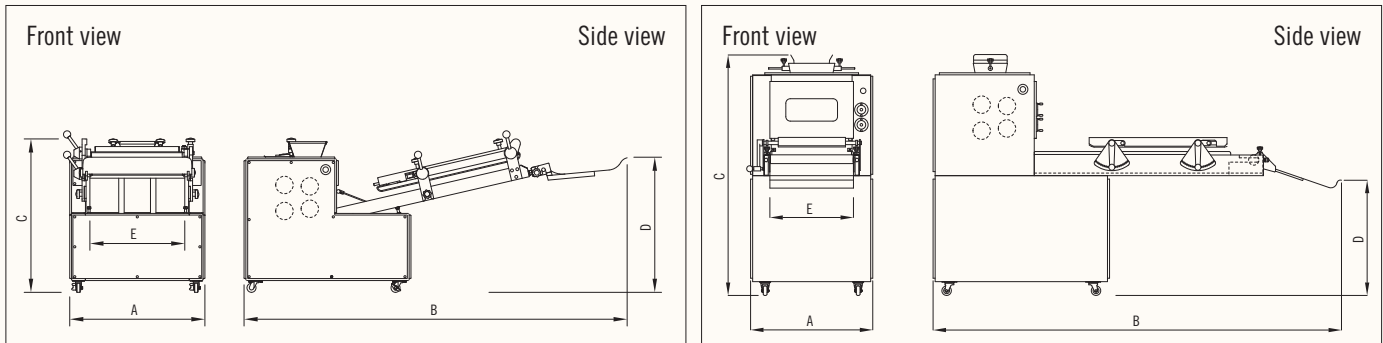


**SARMAŞIK**

# SM Series



## Technical Drawings



## Technical Specifications

Model	Width (A)	Length (B)	Height (C)	Dough Discharge Height (D)	Band Width (E)	Power Requirement	Total Power		Weight
	cm	cm	cm	cm	cm		kW	HP	kg
SM 3000	75	220	85	75	50	220-380V 50 Hz	1	1.5	250
SM 4000	71	239	140	82	45				310
SM 4500	90	200	160	60	65		0,55	0,75	430
SM 6000	105	354	177	60	65		0,75	1	690

Subject to alteration without prior notice.



**Head Office:**  
Huzur Mah. Eski Oto San. Sit.  
Menderes Cad. No: 7  
Şişli 34396 İstanbul, TÜRKİYE  
Tel : +90 212 284 7305 pbx  
Fax : +90 212 284 7318  
GSM : +90 533 658 7663

**Factory:**  
G.O.S.B Kemal Nehrozoğlu Cad.  
No: 502 Gebze 41430  
Kocaeli, TÜRKİYE  
Tel : +90 262 751 0241 pbx  
Fax : +90 262 751 0248  
GSM : +90 533 658 7664

**SARMAŞIK CORPORATION**  
60 Hall Street Medford,  
Boston, MA 02155 USA  
Tel : +1 781 894 2922  
Fax : +1 781 628 0208  
www.sarmatek.com  
sarmatek@sarmatek.com

**SARMAŞIK BAKERY SYSTEMS AND TRADE**  
P.O.Box: 262926 Dubai, UAE  
Tel : +971 4 887 1366  
Fax : +971 4 887 1377  
www.sarmasik.ae  
sarmasik@eim.ae