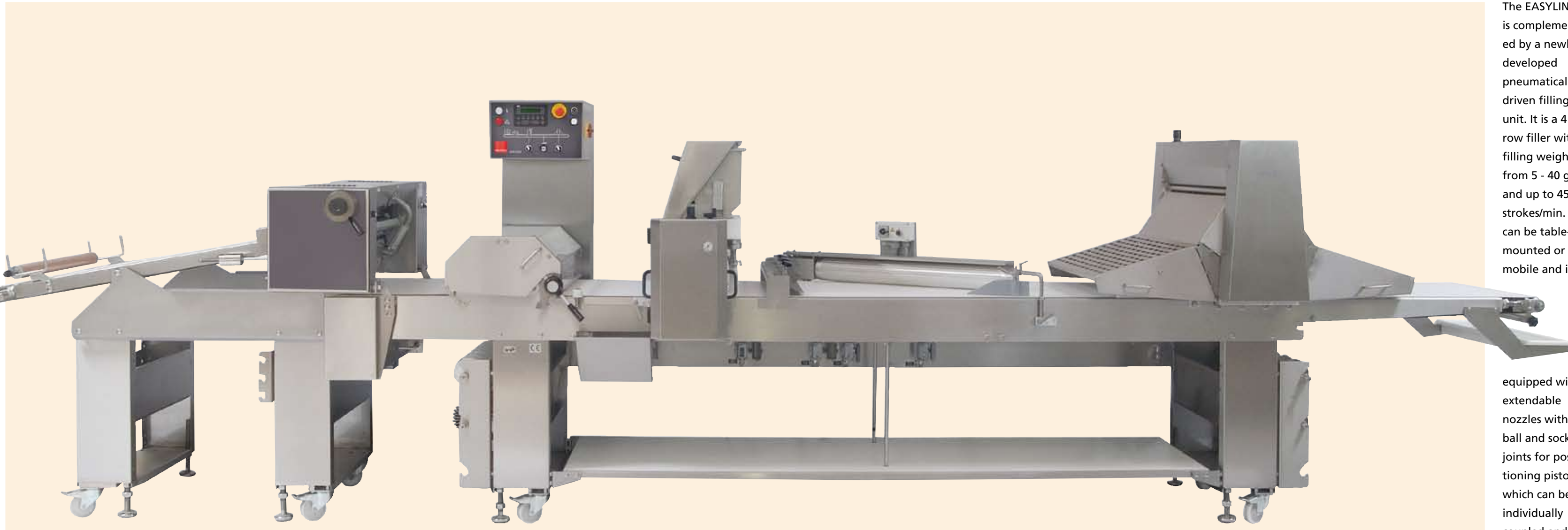


EASYLINE – The EASY make-up line

Quality and variety in the production of fine pastries.

The EASYLINE pastry line is designed for the economical production of a wide range of pastries by cutting, filling, folding and punching. Depending on the product and the tooling and accessories required the production may be fully or partially automatic.

The EASYLINE is built entirely from stainless steel so its easy to clean. The synthetic conveyor belt made from FDA approved material is cut resistant. It is equipped with a double cutting frame and a guillotine. Storage racks are provided for cutting rollers and decorating rollers. Scrapers for waste dough from the edges of the dough sheet, rollers and conveyor belt together with waste collection bins are also provided. The EASYLINE controls the number of fill points per dough piece, distance between fill points and cut length for guillotine.



The EASYLINE is complemented by a newly developed pneumatically driven filling unit. It is a 4 row filler with filling weights from 5 - 40 g and up to 45 strokes/min. It can be table-mounted or mobile and is



equipped with extendable nozzles with ball and socket joints for positioning pistons which can be individually coupled and decoupled, and a removable hopper.



Filled, folded, cut, punched



Double dough sheet



Rolled and coiled products



Cut and filled with hand finishing

The ideal complement to the dough sheeter

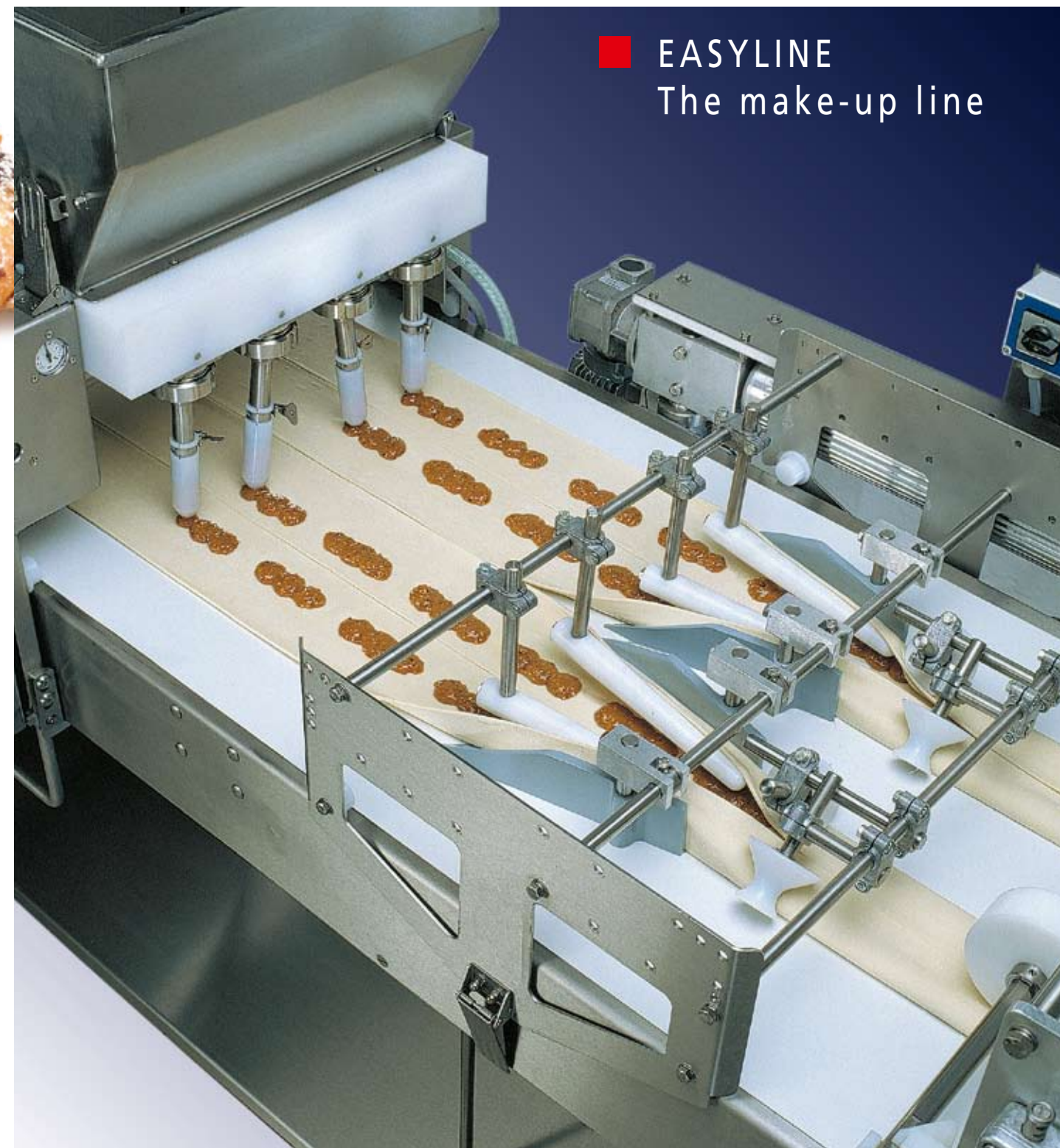
The range of accessories and tooling for the EASYLINE is vast, it includes guillotine knives, punches, folding ploughs, moistening units, coilers and strewers. As an option it is possible to equip the EASYLINE with a 6-row spot filler and a guillotine L. Please contact your local representative for detailed information.



Technical Specification

	approx.	approx.
Space requirement	16.5 x 3.6 ft	5,011 x 1,100 mm
Table height	3 ft	900 mm
Table width	2.3 ft	700 mm
Conveyor width	2.1 ft	650 mm
Net dough sheet width	2 ft	600 mm
Cutting frame entry height	1.6 inch	40 mm
Guillotine entry height	2.8 inch	70 mm
Max. dough thickness for punching	0.8 inch	20 mm
No. of rows for filled products	1 - 4	
Conveyor belt speed	1.6 - 16.4 ft/min	0.5 - 5 m/min
Guillotine performance, punching	25 strokes/min	
Guillotine performance, cutting	100 strokes/min	
Filler performance	45 strokes/min	
Folding plough systems	1 or 2	
Compressed air requirements	max. 416NL/min at 6 bar	
Voltage	200 - 400V, 50/60Hz, 3 phases	
Power requirements	0.4 kW	
(depending on machine version)		
Control voltage	24V/DC	

Subject to change without notice.



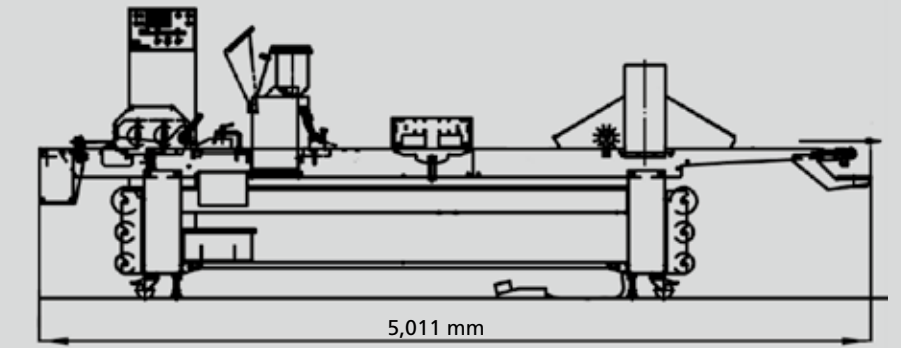
EASYLINE
The make-up line

For the preparation
of a wide range of
fine pastry products

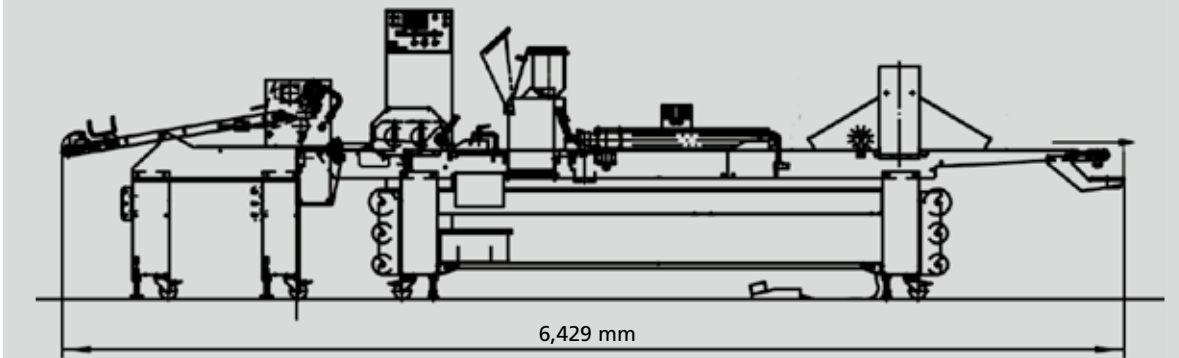
FRITSCH

EASYLINE equipment examples

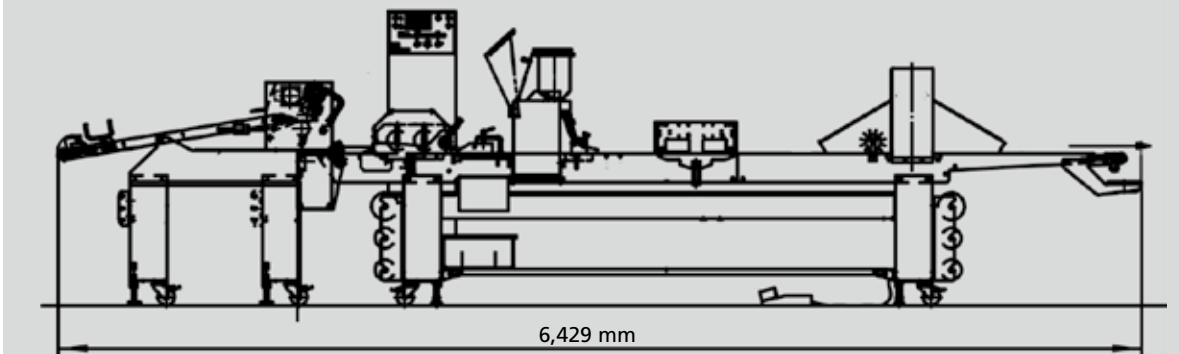
EASYLINE with guillotine L for folded pastries



EASYLINE with guillotine L for Danish whirls



EASYLINE with guillotine L and calibrating head for folded pastries



Subjects to change without notice.

© FRITSCH PRO-EASYLINE_GB_02_2011

FRITSCH

FRITSCH GmbH
D-97348 Markt Einersheim
Bahnhofstr. 27 - 31
Germany
Phone +49 (0) 93 26 / 83 0
Fax +49 (0) 93 26 / 83 100
E-Mail: mail@fritsch-forum.de
www.fritsch.info

FRITSCH ITALIA SRL
Via del Garda 48/E Z. I.
38068 Rovereto (TN)
Italia
Phone +39 04 64 / 48 09 36
Fax +39 04 64 / 48 79 31
E-Mail: fritsch-italia@seldati.net
www.fritsch.info

FRITSCH Vertriebsgesellschaft mbH
D-97348 Markt Einersheim
Bahnhofstr. 31
Germany
Phone +49 (0) 93 26 / 83 193
Fax +49 (0) 93 26 / 83 198
E-Mail: fvg@fritsch-forum.de
www.fritsch.info

FRITSCH USA INC.
216 Little Falls Road, Unit 4
Cedar Grove, New Jersey 07009
USA
Phone +1 (973) 857-7272
Fax +1 (973) 857-7276
E-Mail: sales@fritsch-usa.us
www.fritsch-usa.us

FRITSCH BTT GmbH
D-97348 Markt Einersheim
Bahnhofstr. 27 - 31
Germany
Phone +49 (0) 93 26 / 83 0
Fax +49 (0) 93 26 / 83 600
E-Mail: mail@fritsch-btt.de
www.fritsch-btt.de

OOO FRITSCH
127055 Moskau
Lesnaja 43
Russia
Phone +7 (495) 380 09 50
Fax +7 (499) 973 20 17
E-Mail: sales@fritsch-russia.ru
www.fritsch-russia.ru

FRITSCH UK LTD.
22 Priory Tech Park, Saxon Way
East Yorkshire HU13 9PB
GB - Hessle, Hull
Phone +44 14 82 / 64 67 37
Fax +44 14 82 / 64 69 89
E-Mail: sales@fritsch.co.uk
www.fritsch.co.uk

FRITSCH POLSKA Sp. z o.o.
PL 51-416 Wrocław
ul. Kościelna 12
Polska
Phone +48 / 71 326 16 52
Fax +48 / 71 326 16 51
E-Mail: sales@fritsch-poland.pl
www.fritsch-poland.pl