



KT Series

Volumetric Dough Dividers



TSEK CE PG

- Heavy duty single-pocket bread divider. Extremely gentle dividing action on doughs
- Design in accordance with the food regulations and safety requirements
- Easy speed and dough weight adjustment via handwheels
- Automatic lubrication system providing low oil consumption and hygienic lubrication
- Oil level sight glass and buzzer indicating low oil level
- Stainless-steel teflon-coated hopper
- Easily adjustable stainless-steel flour duster

OPTIONAL

- Stainless-steel side panels
- Speed adjustment system via variable frequency drive



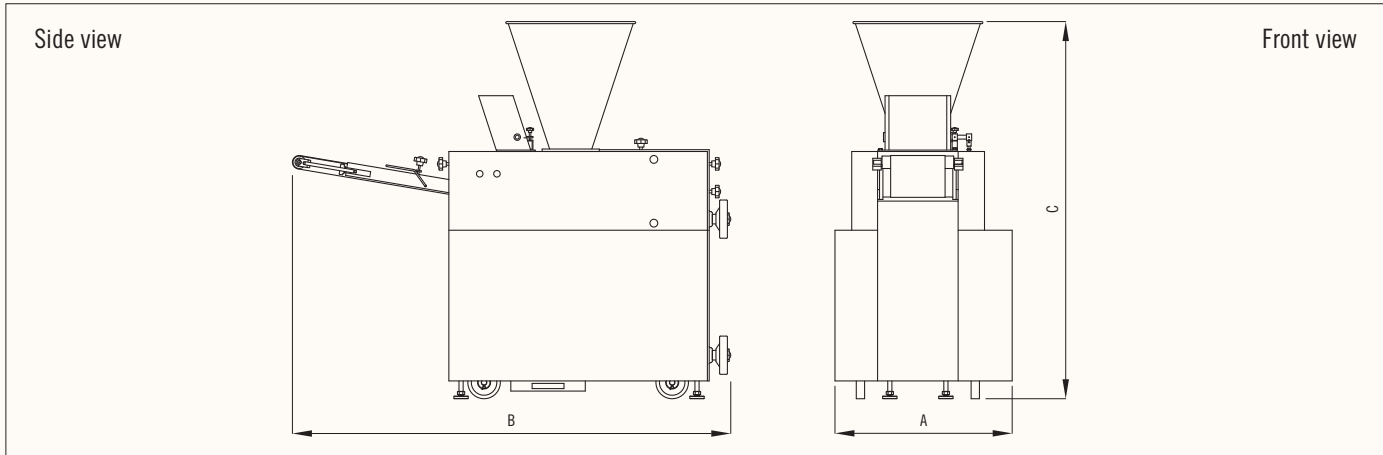
SARMAŞIK



KT Series



Technical Drawings



Technical Specifications

Model	Width (A)	Length (B)	Height (C)	Conveyor Length	Dividing Weight Range	Piston Diameter Ø	Capacity	Total Power		Power Requirement	Weight
	cm	cm	cm					cm	gr		
KT 3000-2P/60	70	150	157	76	40 - 250	60	1,890 - 6,000	1,5	2	220-380V 50 Hz	550
KT 3000-1P/100					60 - 400	100					
KT 3000-1P/110					100 - 600	110	945 - 3,000				
KT 3000-1P/140			150 - 900		140	670 - 2,300					
KT 3000-2P/110	89		157	81	100 - 600	110	3,360 - 4,800	3	4		725

Subject to alteration without prior notice.



Head Office:
Huzur Mah. Eski Oto San. Sit.
Menderes Cad. No: 7
Şişli 34396 İstanbul, TÜRKİYE
Tel : +90 212 284 7305 pbx
Fax : +90 212 284 7318
GSM : +90 533 658 7663

Factory:
G.O.S.B Kemal Nehrozoğlu Cad.
No: 502 Gebze 41430
Kocaeli, TÜRKİYE
Tel : +90 262 751 0241 pbx
Fax : +90 262 751 0248
GSM : +90 533 658 7664

SARMAŞIK CORPORATION
60 Hall Street Medford,
Boston, MA 02155 USA
Tel : +1 781 894 2922
Fax : +1 781 628 0208
www.sarmatek.com
sarmatek@sarmatek.com

SARMAŞIK BAKERY SYSTEMS AND TRADE
P.O.Box: 262926 Dubai, UAE
Tel : +971 4 887 1366
Fax : +971 4 887 1377
www.sarmasik.ae
sarmasik@eim.ae