

## BELMATE 600 PORTIONING MACHINE

Your perfect pastry bag

Beldos offers a portioning machine with a decogun nozzle and options for injection, layering, decoration of cakes and side icing of cakes.

### 1. Belmate 600 portioning machine is available in one series:

- 600;

### 2. Design features:

- an optional turning table is available; adjust the rotation speed (0-9 rotations/min) and choose the rotation direction; your hands are free to create perfect decorations;



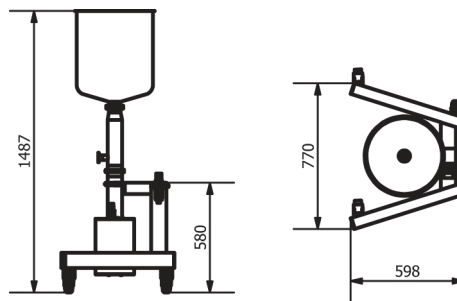
- mounted on a mobile heavy duty non-adjustable in height frame;
- 25 l hopper;
- the speed of decoration can be easily adjustable;
- foot pedal operation: press the foot pedal to fill the product cylinder; decogun operation: press the trigger to start the decoration;

### 3. Technical specifications

Power	Air: 20 l/min per 6 impulses / min for foot pedal (command) 1,2-5,6 Bar/ 102 PSI
Material	Stainless steel



### 4. Dimensions



<b>5. Options</b>				
<p>Balancer for decogun</p>	<p>Belmate 600 turntable, electric</p>	<p>Hopper vertical 25l, for heavy or thick products</p>	<p>Heater jacket, till +120°C</p>	<p>Follower plate; synthetic; for heavy paste and aerated products</p>
<p>Decogun</p>	<p>Filling tube attachment</p>	<p>Injection needle attachment</p>		<p>Pastry tips 9 pcs; to attach to Beldos nozzles with thread</p>
<p>Spreader &amp; icing attachment, straight or 45° (optional with a combed finish)</p>	<p>Foot pedal</p>	<p>Spare parts kit (a set for 1 month is included for free)</p>	<p>Compressors</p>	

**6. Common applications with additional options:**

- Flowable products ONLY: liquid/semi-liquid products, soft paste, aerated products;
- anything that can be squeezed through a pastry bag;
- no particles;

**a. Injection (semi-automatic)**



Berliners



éclairs



profiteroles



horns with  
Cheese sauce

**b. Layering (semi-automatic)**



custard



sandwiches

**c. Icing of cakes (round, rectangular, square)**



Glaseado al lado

**d. Decoration (according to your needs)**



borders



borders



stars