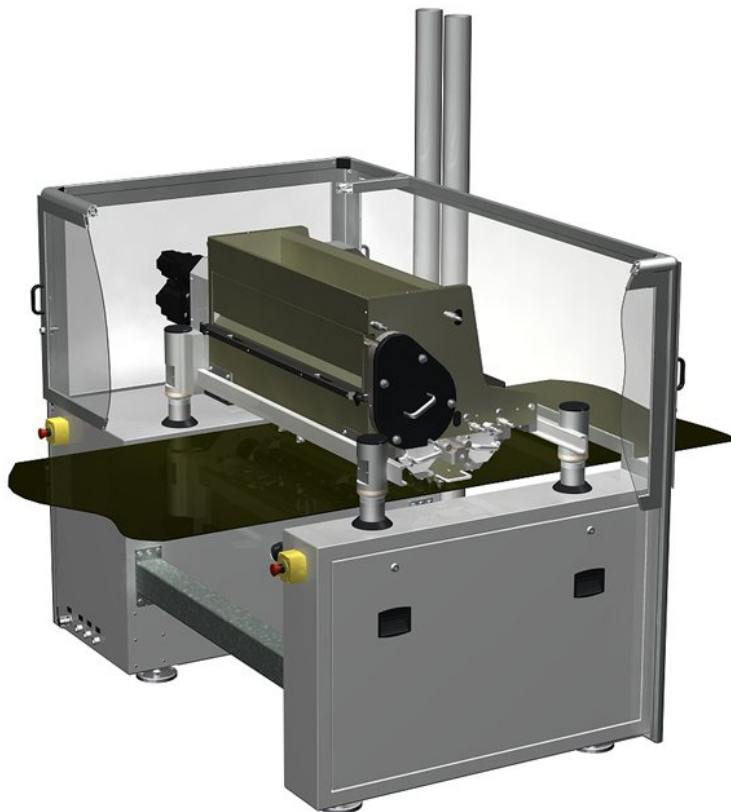


Alice™ Z Manual Single



Alice™ Z Manual Single



The Alice™ Single head configuration model provides flexibility for straightforward single extrusion and depositing

Choose the Alice™ Z Manual depositor in single head configuration and you can deposit, extrude, or wire-cut one mass. Choose this configuration if you want to produce extruded shapes onto a continuous conveyor belt. The Z (up – down) movement is static during production but adjustable by an AC motor while offline. All other movements are servo driven and full programmable. All programming is done from a color touch screen panel and can be adjusted in real time (except the Z-movement). This machine is easy to clean. The Alice™ hopper also makes it adaptable to quick product changes thanks to its off-line capability. Upgrades to double or triple head configuration, or to the Z Servo Dynamic are possible.

UPS/EFU

- Preserves dough texture and structure
- Optional upgrade to Servo Z Dynamic
- Unique "hose down" cleaning
- Large selection of innovative die-tools
- Configuration used for single extrusion/depositing
- Gently handles dough with inculsions



The Aasted Machinery Program

Find the technical specifications for the machine below.

	Alice™ Z Manual Single 1000	Alice™ Z Manual Single 1200	Alice™ Z Manual Single 600	Alice™ Z Manual Single 800
Length (mm)	2188	2388	1788	1988
Width (mm)	1543	1543	1543	1543
Height (mm)	1878	1878	1878	1878
Power usage (KwH)	25	25	25	25
Air usage (m3)	75L/min. 6 bar/ 4.5	75L/min. 6 bar/ 4.5	75L/min. 6 bar / 4.5	75L/min. 6 bar/ 4.5
Water usage (m3)	13L/h. /	16L/h. /	7L/h. /	10L/h. /

We have a broad portfolio of machinery and equipment

Beneath are listed products in the same category.

- Alice™ Z Manual Double
- Alice™ Z Manual Triple