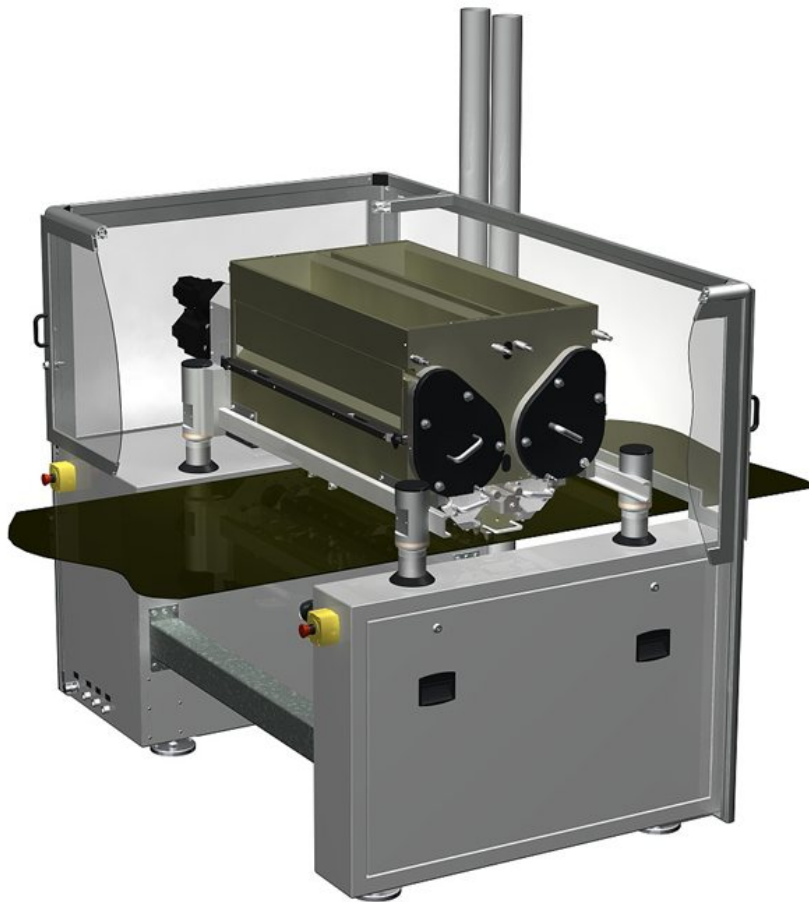


Alice™ Z Manual Double



Alice™ Z Manual Double

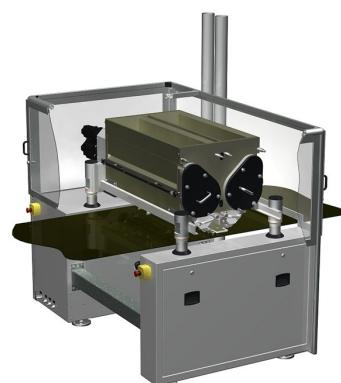


Combine two different masses into one product.
Configurations include co-extrusion, sandwich-extrusion,
double-row extrusion, sequence depositing and others.

Choose the Alice™ Z manual depositor in double head configuration and you can combine two different masses into one extruded or wire-cut product. Choose this configuration if you want to produce products with co-extrusion, multi color depositing and drop fill depositing onto a continuous conveyor belt. The Z (up – down) movement is static during production but adjustable by an AC motor while offline. All other movements are servo driven and fully programmable for complete control during production. All programming is done from a color touch screen panel and can be adjusted in real time (except the Z-movement). The machine is easy to clean. The Alice™ hopper also makes it adaptable to quick product changes thanks to its off-line capability. Upgrades to triple head configuration or to the Z Servo Dynamic are possible.

UPS/EFU

- Preserves dough texture and structure
- Flexibility through modularity
- Unique “hose-down” cleaning
- Large selection of innovative die tools
- Gently handles dough with inclusions
- Handles aerated masses



The Aasted Machinery Program

Find the technical specifications for the machine below.

	Alice Z Manual Double 600	Alice Z Manual Double 800	Alice Z Manual Double 1000	Alice Z Manual Double 1200
Length (mm)	1788	1988	2188	2388
Width (mm)	1543	1543	1543	1543
Height (mm)	1878	1878	1878	1878
Power usage (KwH)	35	35	35	35
Air usage (m3)	75L/min. 6 bar/ 4.5	75L/min. 6 bar /4.5	75L/min. 6 bar/ 4.5	75L/min. 6 bar / 4.5
Water usage (m3)	14L/h. /	20L/h. /	26L/h. /	32L/h. /

We have a broad portfolio of machinery and equipment

Beneath are listed products in the same category.

- Alice™ Z Manual Single
- Alice™ Z Manual Triple